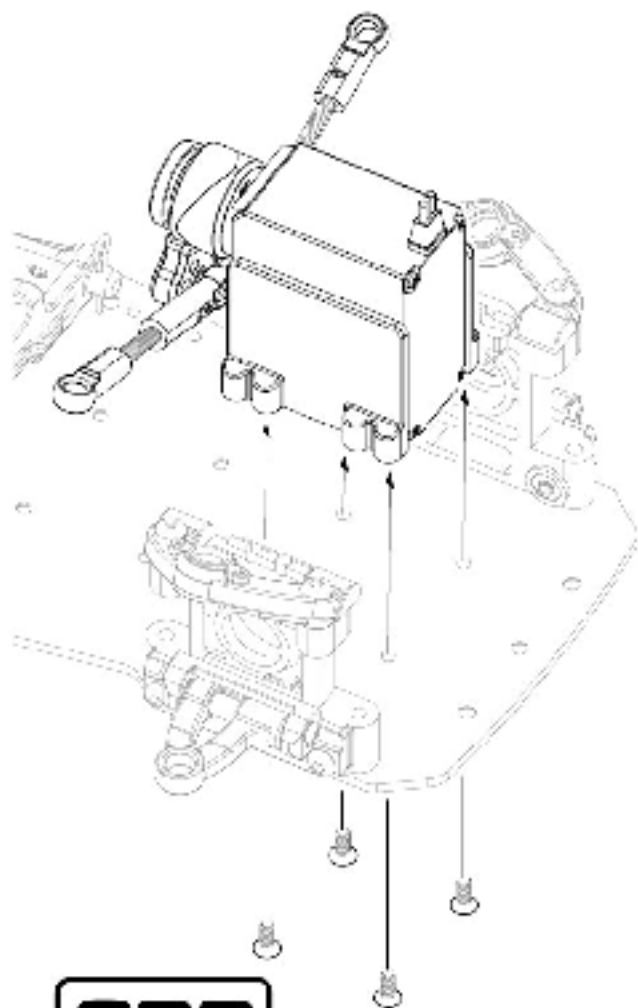


233

239

245

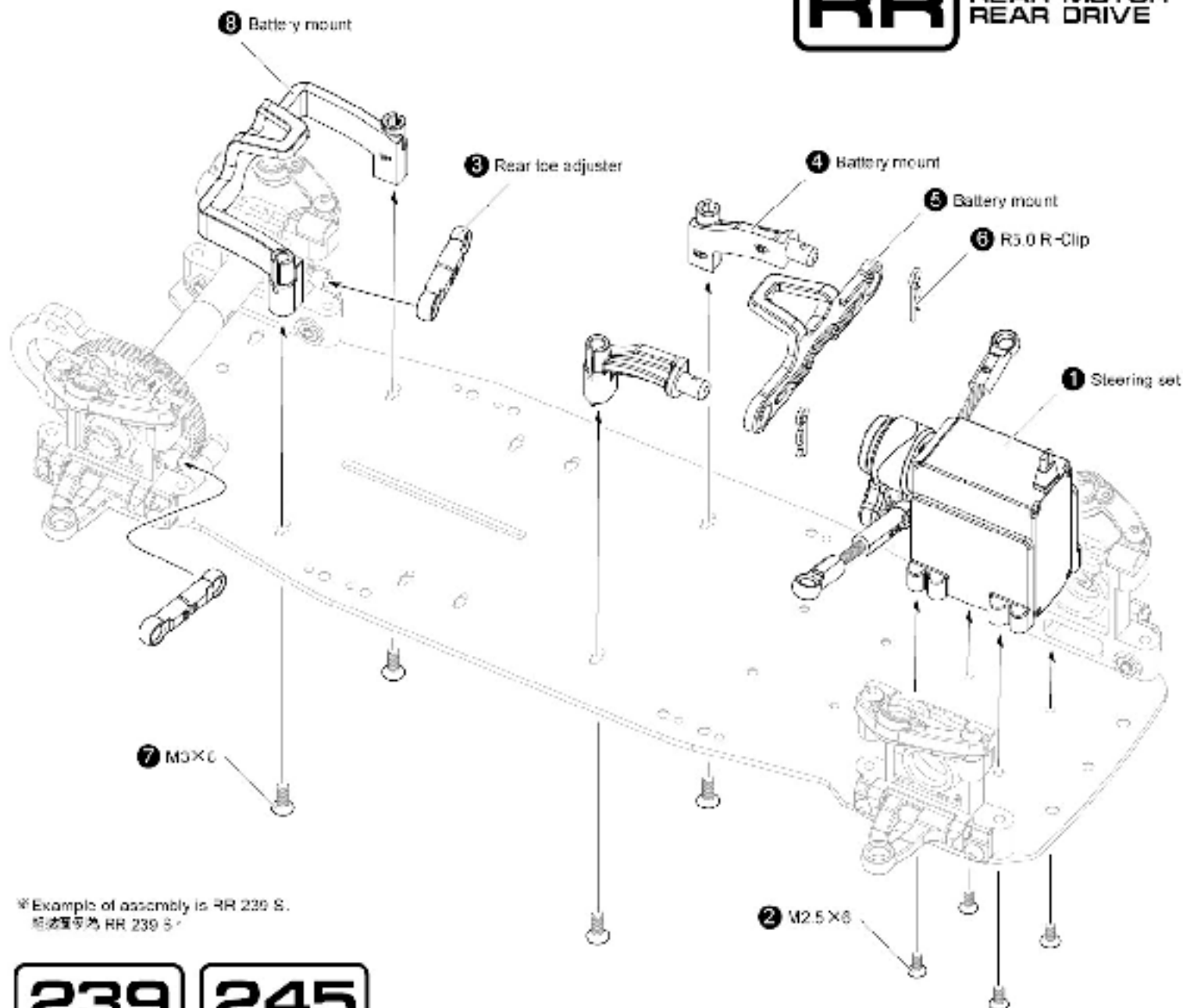


233

## STEP 1

Steering servo &amp; battery mount: assembly

转向伺服器与电池盒装配



\*Example of assembly is RR 239 S.  
 装配实例为 RR 239 S \*

239

245

RR

REAR MOTOR  
REAR DRIVE